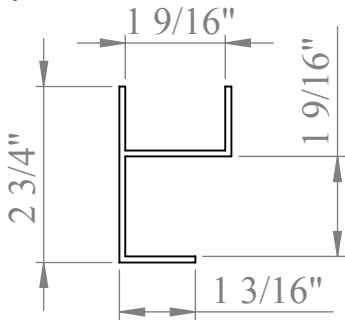
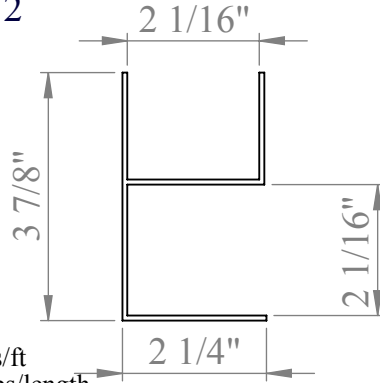


90° Corner 1
3010



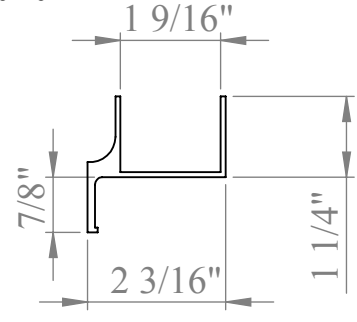
.57 lbs/ft
11.4 lbs/length

90° Corner extended - 2"
3012



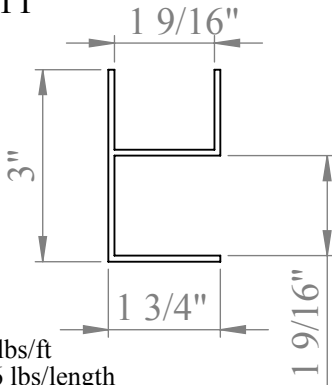
.87 lbs/ft
17.4 lbs/length

Door Frame - 1 1/2"
3040



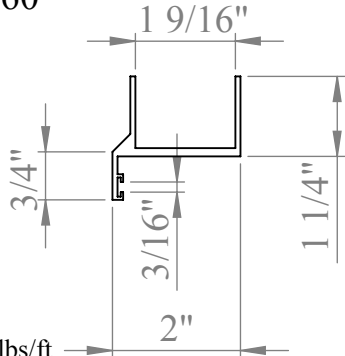
.66 lbs/ft
13.2 lbs/length

90° Corner extended - 1 1/2"
3011



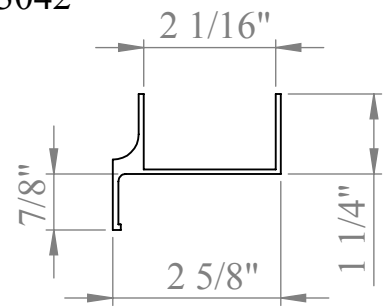
.698 lbs/ft
13.96 lbs/length

Door Frame - Mohair
3060



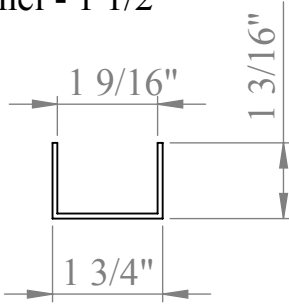
.54 lbs/ft
10.8 lbs/length

Door Frame - 2"
3042



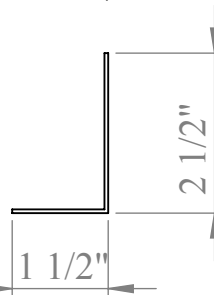
.67 lbs/ft
13.4 lbs/length

C-Channel - 1 1/2"
3020



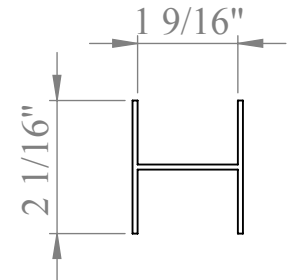
.31 lbs/ft
6.2 lbs/length

Angle 1 1/2" x 2 1/2"
3032



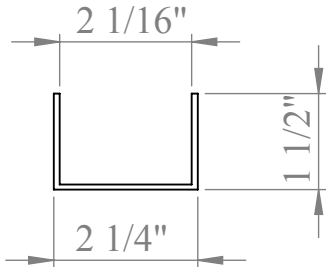
.41 lbs/ft
8.2 lbs/length

H-Section
3050



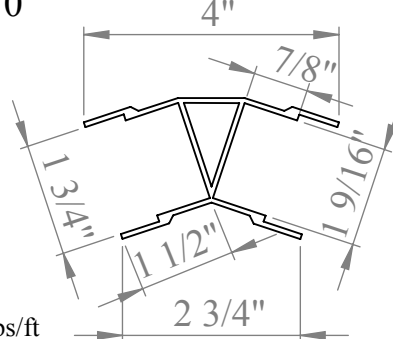
.50 lbs/ft
10.0 lbs/length

C-Channel - 2"
3022



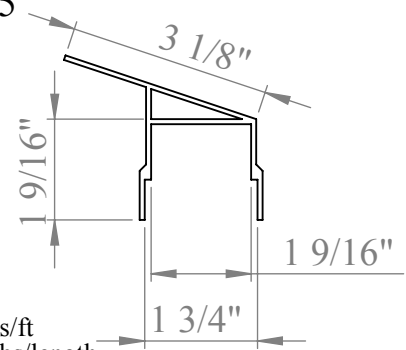
.40 lbs/ft
8.0 lbs/length

Roof Peak Joint (4:12)
3070



1.04 lbs/ft
20.8 lbs/length

Roof Wall Joint (4:12)
3025



.798 lbs/ft
15.96 lbs/length



A Better Panel Inc.
Box 6165
4006 - 60th Ave
Innisfail, AB
T4G 1S8
www.abetterpanel.com
ph: 403-227-4545
fax: 403-227-4535
toll free: 1-877-352-7979

	NAME	DATE
DRAWN		
CHECKED		
ENG APPR.		
MFG APPR.		
COMMENTS:		
DO NOT SCALE DRAWING		

SIZE	DWG. NO	REV.
A	ABPI-EXTR-01	
SCALE: 1:1	SHEET 1 OF 1	